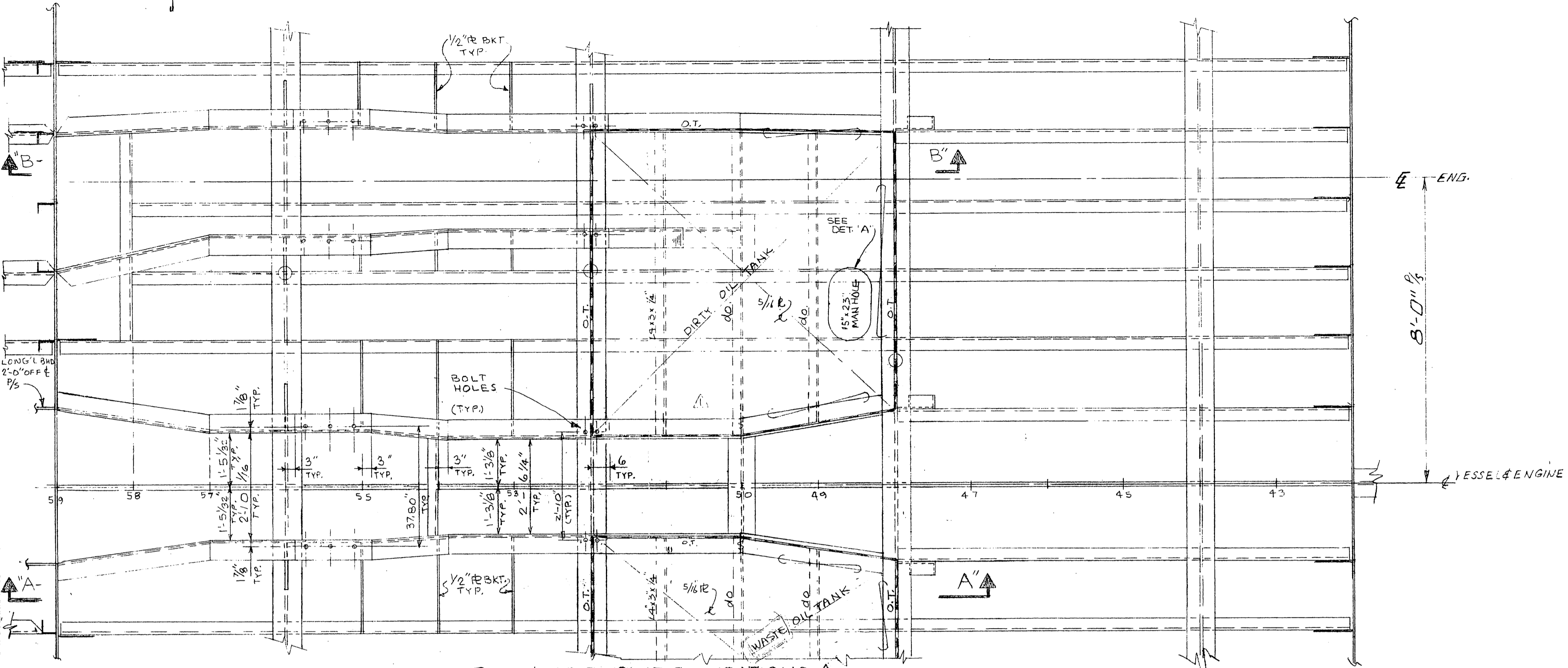
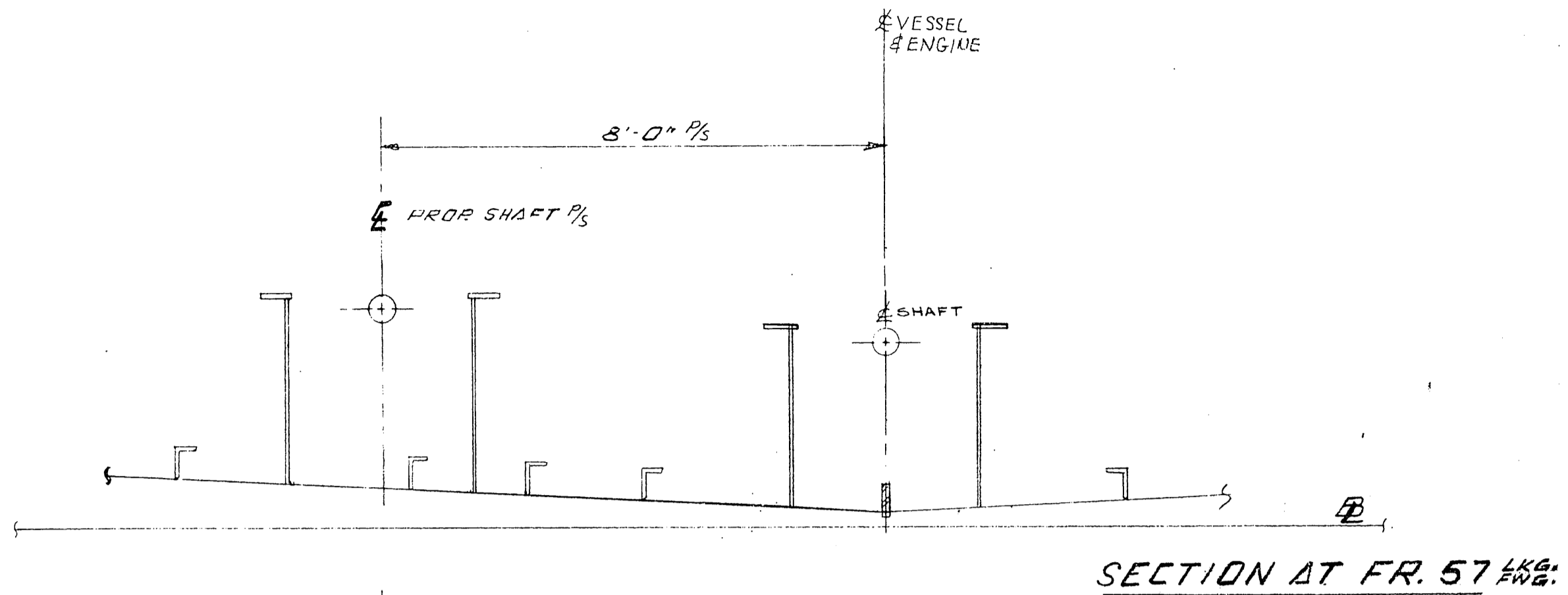


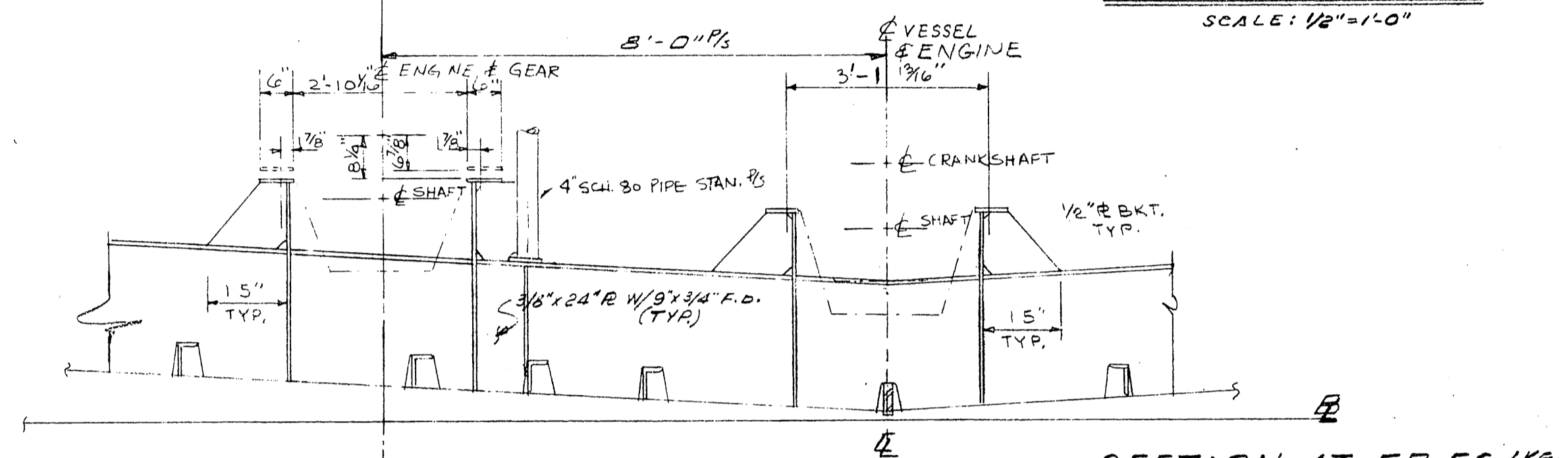
REV. MK.	DESCRIPTION	BY	DATE	APPROV.
1	REVISED & MAIN ENGINE FOUNDATION. ADDED DIRTY OIL & WASTE OIL TANK DETAILS.	N.J.	5-15-81	A.J.J.
2	REVEAL DWG PER NEW DWG. 0-104-28019 OF RECEPTION GEAR W/V 500A	J.T.	7-29-81	A.J.J.



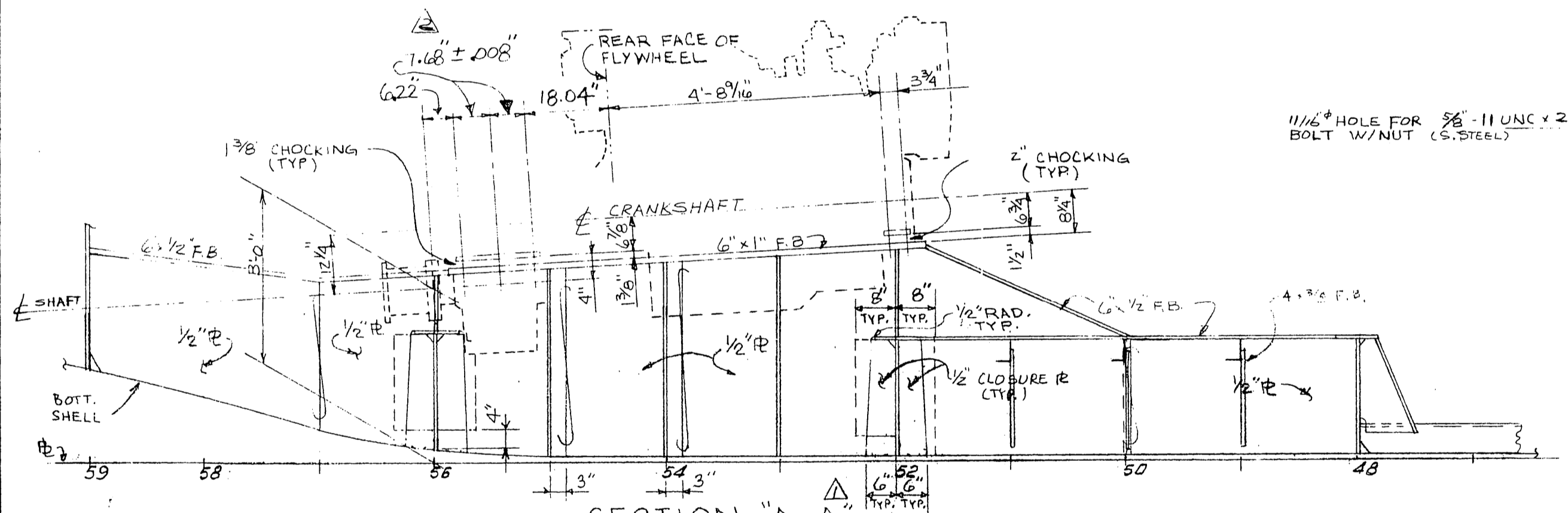
PLAN OF ENGINE FOUNDATIONS
 PORT ENGINE GIRDERS SHOWN STBD. SIM. BUT OPP. HAND
 SCALE: 1/2"=1'-0"



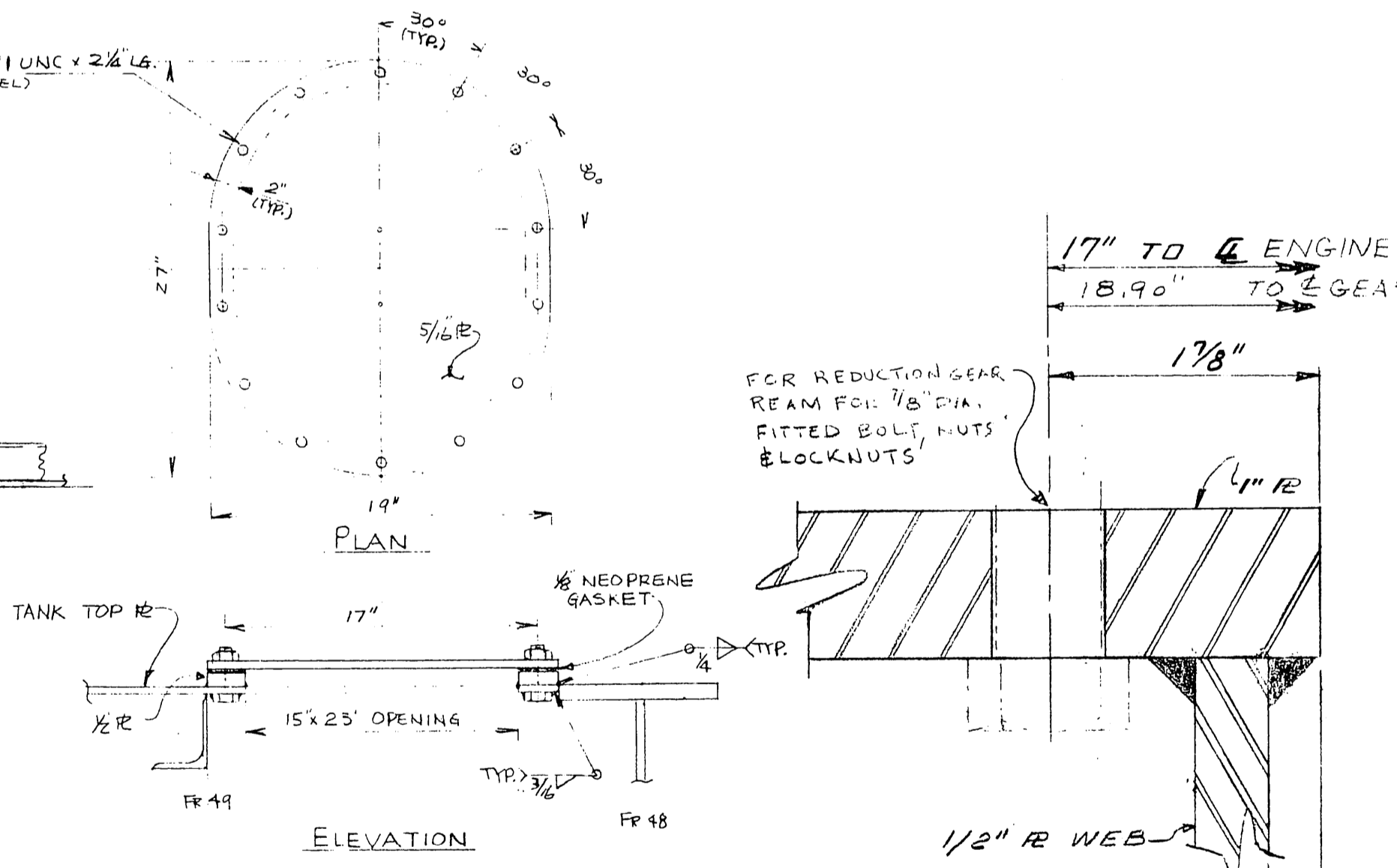
SECTION AT FR. 57
 SCALE: 1/2"=1'-0"



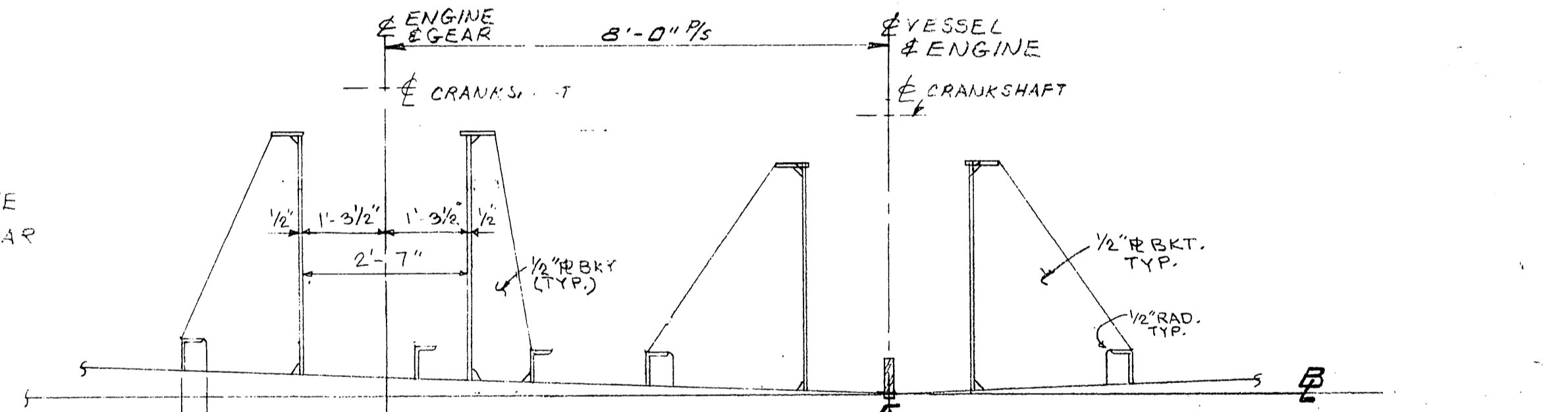
SECTION AT FR. 56
 SCALE: 1/2"=1'-0"



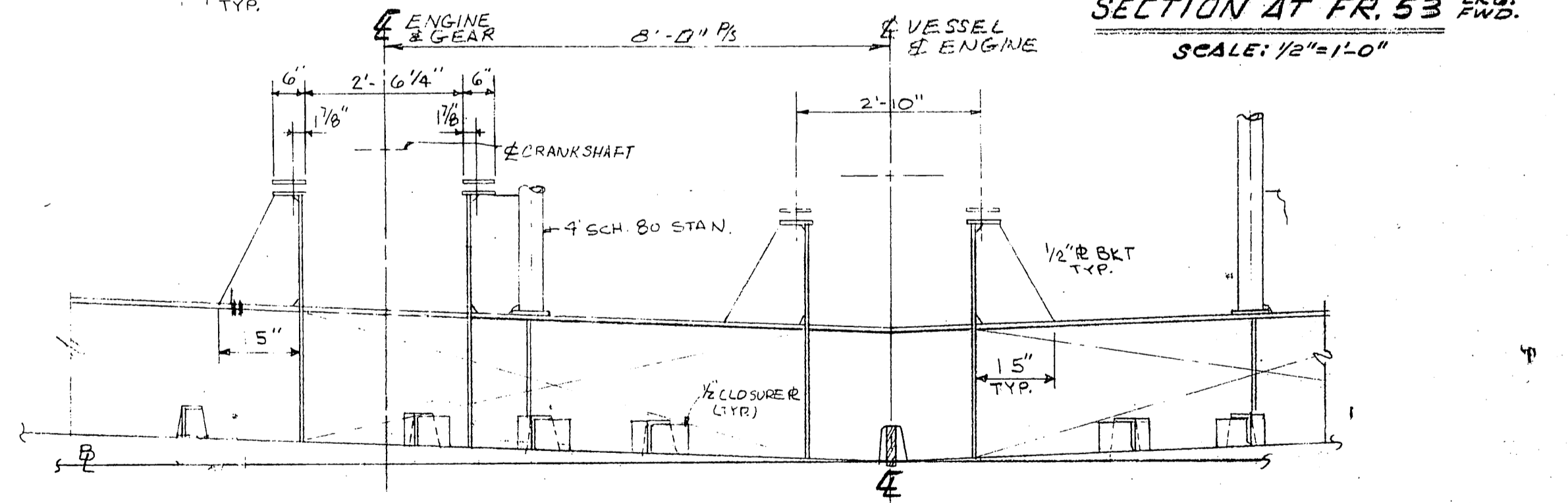
SECTION "A-A"
 ENGINE GIRDER STBD. SIDE SHOWN - PORT SIDE OPP. HAND
 SCALE: 1/2"=1'-0"



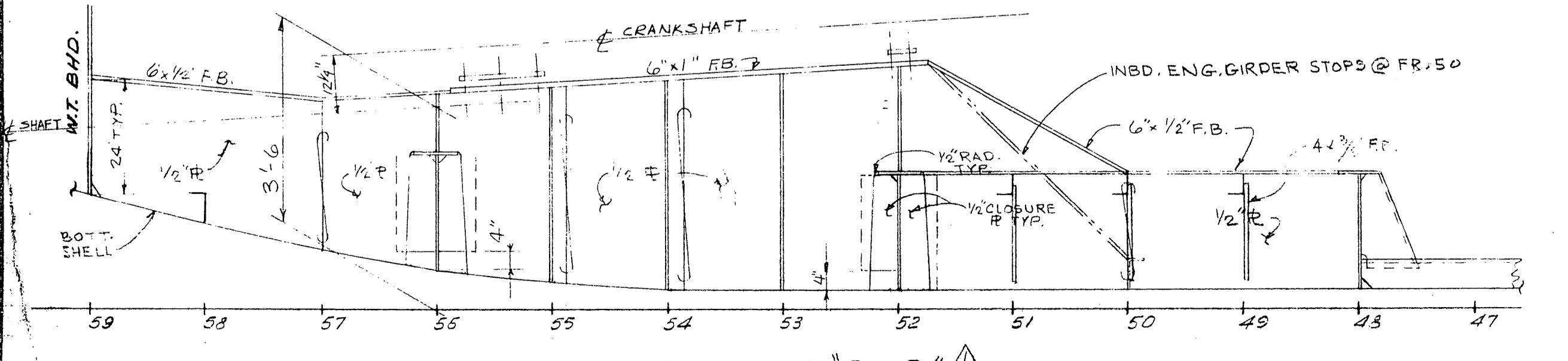
TYPICAL DETAIL "A" - MANHOLE
 SCALE: 1/2"=1'-0"



SECTION AT FR. 53
 SCALE: 1/2"=1'-0"



SECTION AT AFT. FR. 52
 SCALE: 1/2"=1'-0"



SECTION "B-B"
 OUTBD ENGINE GIRDER PORT SIDE SHOWN - INBD SIDE SIM. BUT AS NOTED
 STBD. ENGINE GIRDERS OPP. HAND
 SCALE: 1/2"=1'-0"

CHECK PRINT

DESIGN ASSOCIATES, INC.
 NAVAL ARCHITECTS MARINE ENGINEERS
 NEW ORLEANS, LA.

TIDEWATER MARINE SERVICE

143' x 36' x 10' SEISMIC VESSEL

MAIN ENGINE FOUNDATION

Drawn: <i>mic & pcb</i>	Date: 3-19-81	Checked:
Traced:	Date:	Checked:
Aprvd:	Date:	Scale: 1/2"=1'-0"
Sheet 1 of 1	Drawing No. L-2062-16	Revision Mark